

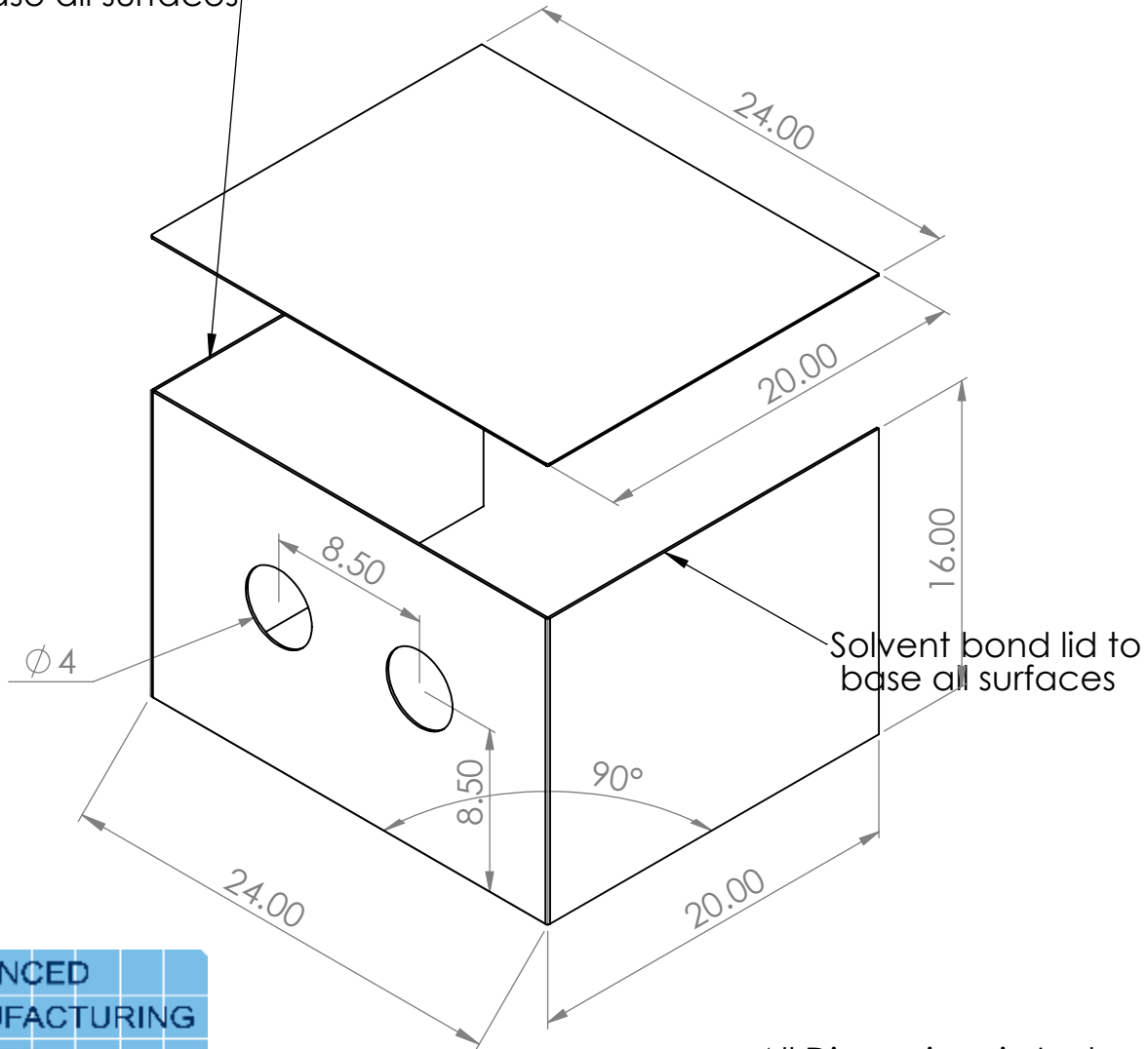
2

1

B

B

Solvent bond lid to base all surfaces



Solvent bond lid to base all surfaces



All Dimensions in Inches
Material 1/8 lexan or acrylic

A

A

		DIMENSIONS ARE IN INCHES TOLERANCES: FRACTIONAL ± ANGULAR: MACH ± BEND ± TWO PLACE DECIMAL ± THREE PLACE DECIMAL ±		NAME	DATE	<p style="text-align: center;">University Of Maine Advanced Manufacturing Center</p>		
		MATERIAL		DRAWN				
		FINISH		CHECKED				
NEXT ASSY	USED ON			ENG APPR.				
APPLICATION		DO NOT SCALE DRAWING		MFG APPR.				
				Q.A.		SIZE	DWG. NO.	REV.
				COMMENTS:		A	box B	
						SCALE:1:10	WEIGHT:	SHEET 1 OF 1

PROPRIETARY AND CONFIDENTIAL
THE INFORMATION CONTAINED IN THIS DRAWING IS THE SOLE PROPERTY OF <COMPANY NAME>. ANY REPRODUCTION IN PART OR AS A WHOLE WITHOUT THE WRITTEN PERMISSION OF <COMPANY NAME> IS PROHIBITED.

2

1