

The University of Maine

DigitalCommons@UMaine

Advanced Manufacturing Center

University of Maine Departmental Records

3-23-2020

Advanced Manufacturing Center_Aerosol Box_Intubation Hood Designs

Forest Wentworth
University of Maine

John Belding
University of Maine

Follow this and additional works at: https://digitalcommons.library.umaine.edu/c19_amc



Part of the [Engineering Commons](#), [Higher Education Commons](#), [History Commons](#), and the [Medicine and Health Sciences Commons](#)

Repository Citation

Wentworth, Forest and Belding, John, "Advanced Manufacturing Center_Aerosol Box_Intubation Hood Designs" (2020). *Advanced Manufacturing Center*. 4.
https://digitalcommons.library.umaine.edu/c19_amc/4

This Image is brought to you for free and open access by DigitalCommons@UMaine. It has been accepted for inclusion in Advanced Manufacturing Center by an authorized administrator of DigitalCommons@UMaine. For more information, please contact um.library.technical.services@maine.edu.

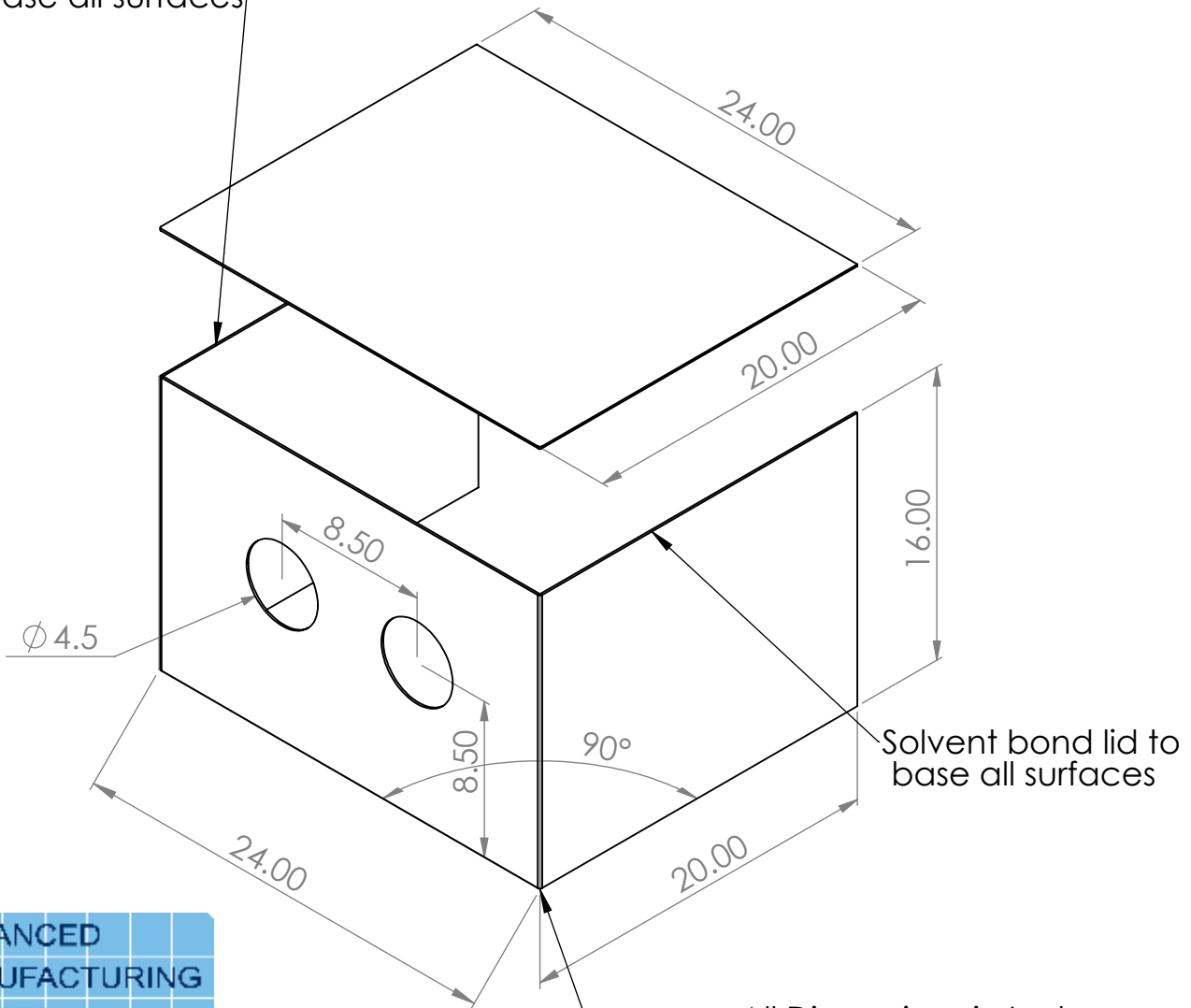
2

1

Solvent bond lid to base all surfaces

B

B



A

A



Bend 2 corners 90deg

All Dimensions in Inches
Material 1/8 lexan or acrylic

PROPRIETARY AND CONFIDENTIAL
 THE INFORMATION CONTAINED IN THIS DRAWING IS THE SOLE PROPERTY OF <COMPANY NAME>. ANY REPRODUCTION IN PART OR AS A WHOLE WITHOUT THE WRITTEN PERMISSION OF <COMPANY NAME> IS PROHIBITED.

		DIMENSIONS ARE IN INCHES TOLERANCES: FRACTIONAL ± ANGULAR: MACH ± BEND ± TWO PLACE DECIMAL ± THREE PLACE DECIMAL ±		NAME	DATE
			DRAWN		
			CHECKED		
			ENG APPR.		
			MFG APPR.		
			Q.A.		
			COMMENTS:		
NEXT ASSY	USED ON	MATERIAL			
		FINISH			
APPLICATION		DO NOT SCALE DRAWING			

University Of
 Maine Advanced
 Manufacturing
 Center

SIZE	DWG. NO.	REV.
A	box B	
SCALE:1:10	WEIGHT:	SHEET 1 OF 1

2

1