

The University of Maine

DigitalCommons@UMaine

Advanced Manufacturing Center

University of Maine Departmental Records

3-24-2020

Advanced Structures and Composites Center_Aerosol Box Notes & Photographs

David Erb Jr.

University of Maine

Follow this and additional works at: https://digitalcommons.library.umaine.edu/c19_amc



Part of the [Engineering Commons](#), [Higher Education Commons](#), [History Commons](#), and the [Medicine and Health Sciences Commons](#)

Repository Citation

Erb, David Jr., "Advanced Structures and Composites Center_Aerosol Box Notes & Photographs" (2020). *Advanced Manufacturing Center*. 3.

https://digitalcommons.library.umaine.edu/c19_amc/3

This Other is brought to you for free and open access by DigitalCommons@UMaine. It has been accepted for inclusion in Advanced Manufacturing Center by an authorized administrator of DigitalCommons@UMaine. For more information, please contact um.library.technical.services@maine.edu.

Aerosol Box Notes

Monday 23 March

After discussions on the phone yesterday, the Advanced Structures and Composites Center (ASCC) agreed to produce 1 prototype Aerosol Box for intubation procedures in response to an urgent need by Doctors.

Completed the Box immediately and developed a procedure for producing some volume should the State and other medical leaders find demand outweigh current supply.

Pictures of the ASCC Box are in the Shared Google drive folder and at the end of this document.

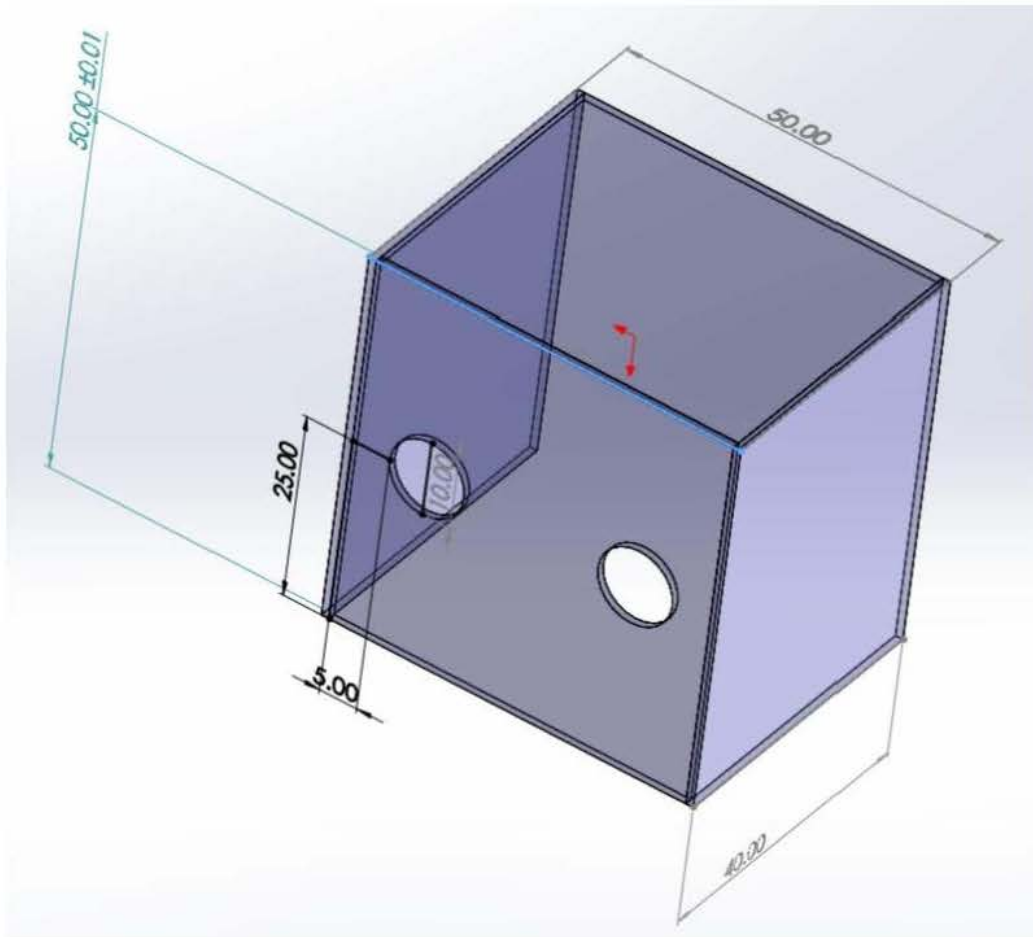
Below is reference to the design and use.

David Erb

Senior R&D Program Manager ASCC

See below

Design



***All units are in centimeters.**

MATERIALS: The box can be cheaply made using acrylic or transparent polycarbonate sheet at a cost of approximately US\$67 (NT\$2,035) per unit. After each intubation, the box can be cleaned thoroughly with 70% alcohol or bleach. It can then be reused for the next patient.

Designed by Dr. Hsien Yung Lai.













Photos provided by Dr. Hsien Yung Lai

Advanced Structures and Composites Center Aerosol Box Pictures





